

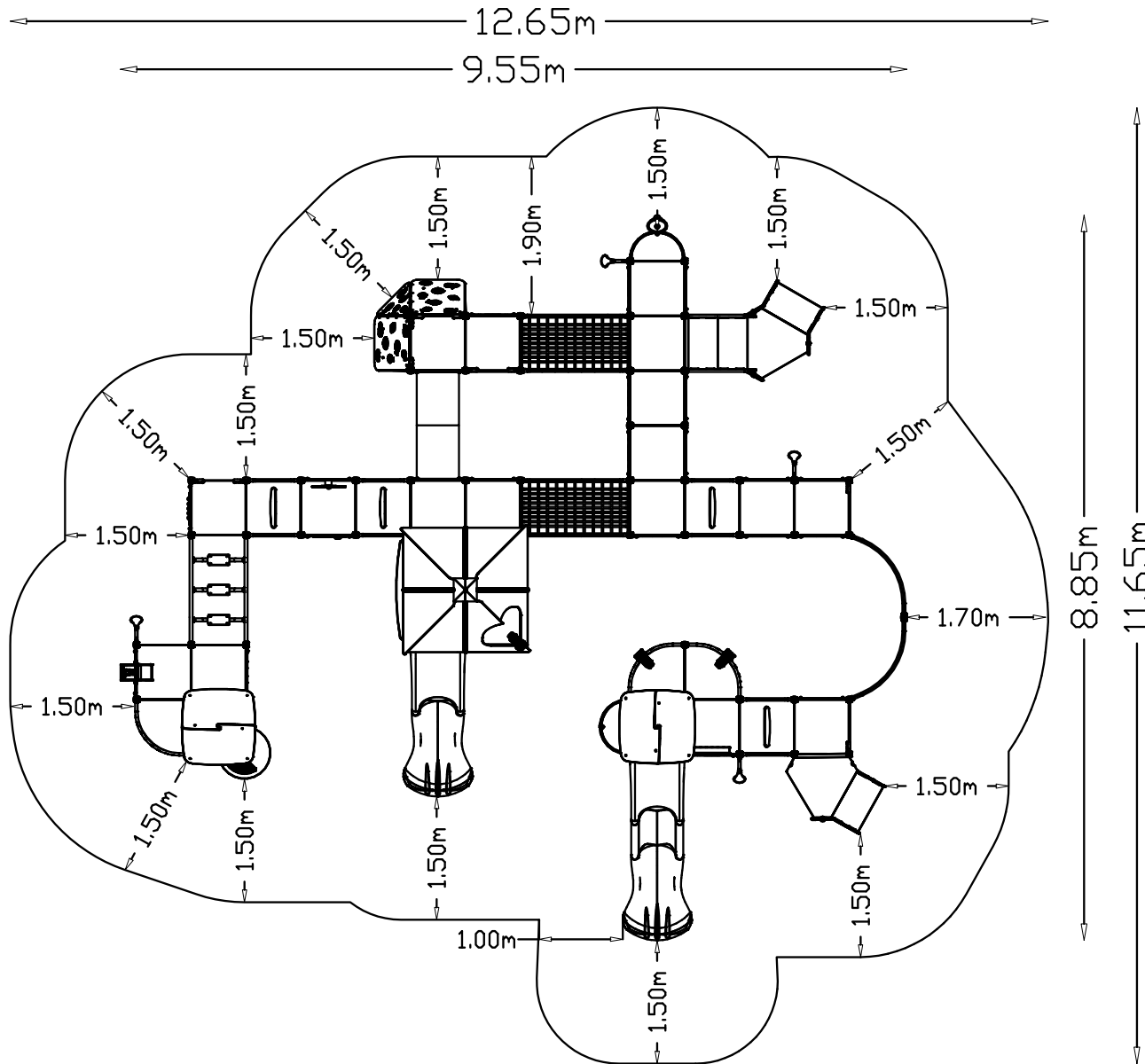
S6



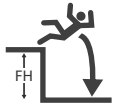
EN1176

1.82m

EN1176



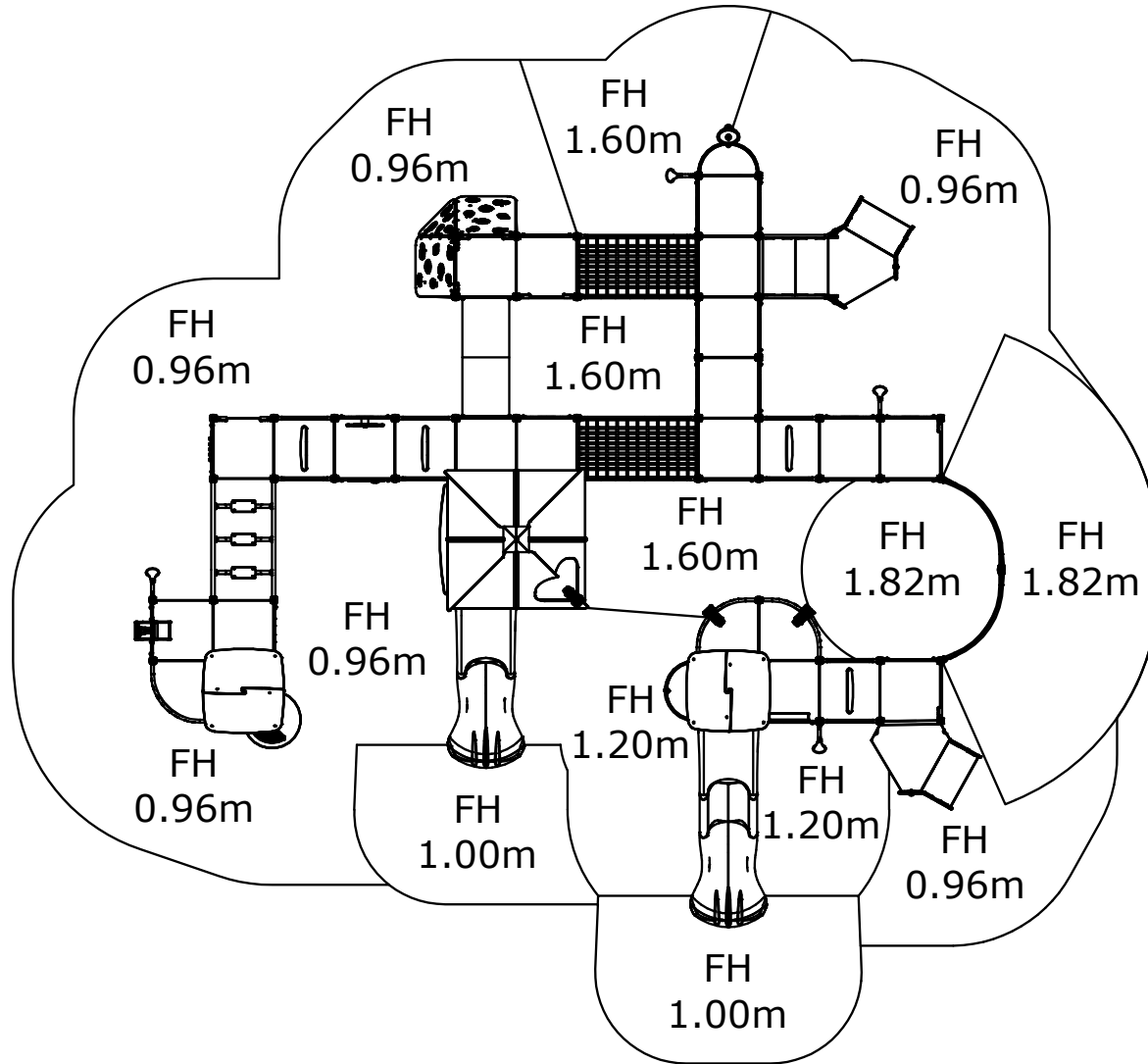
S6



EN1176

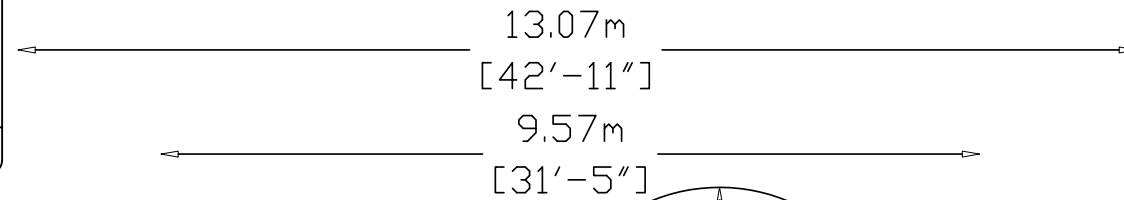
1.82m

EN1176

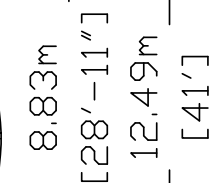
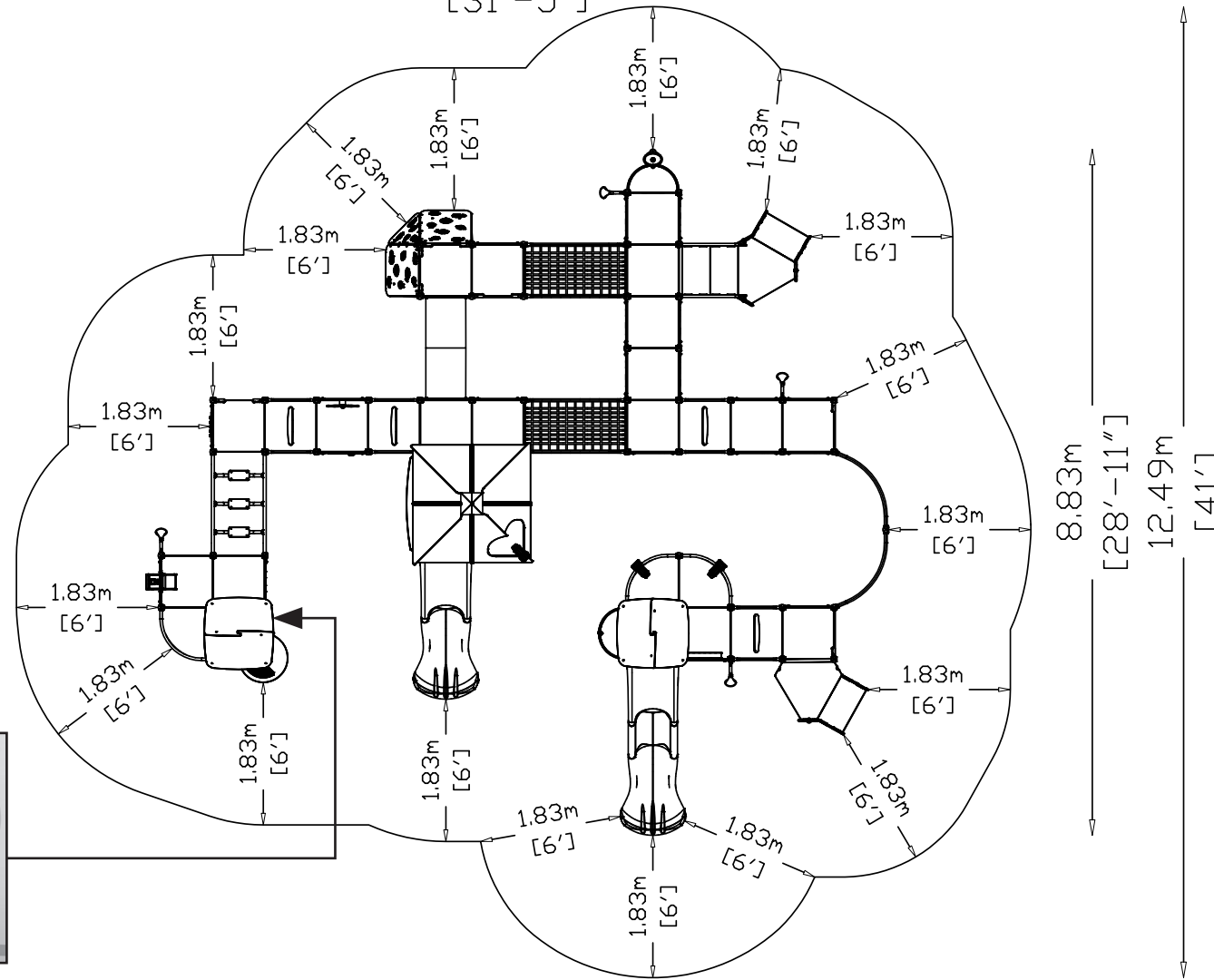


S8

ASTM F1487
4'-11"



ASTM F1487



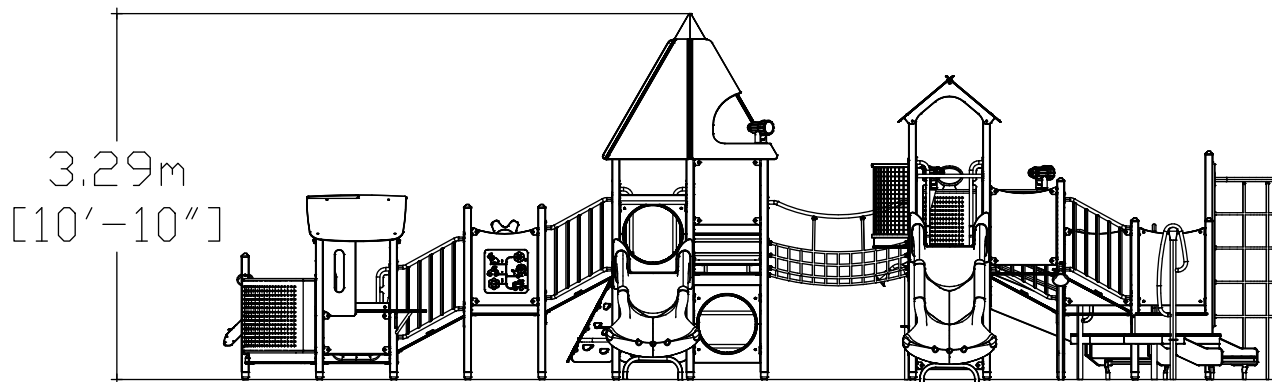
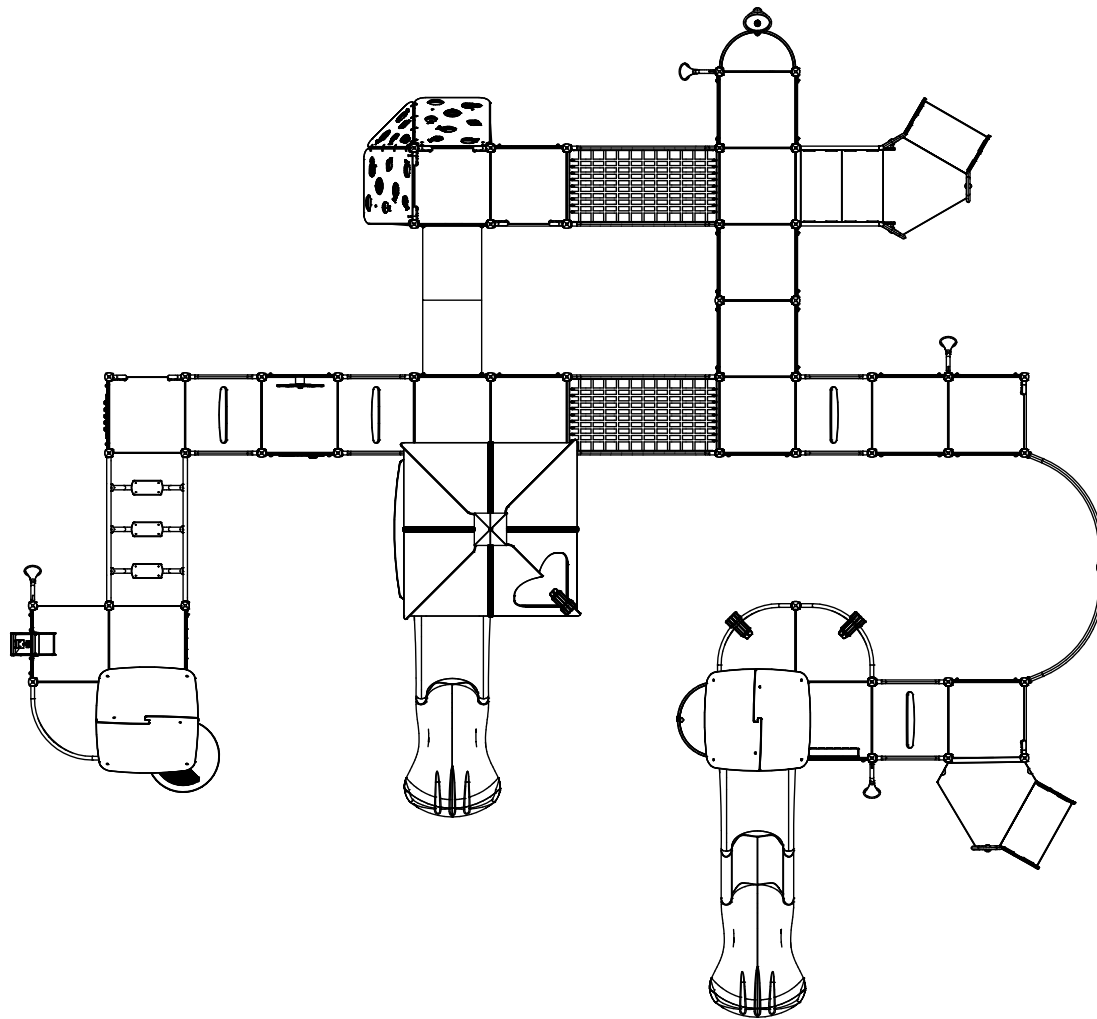
| | | |
|---------------------------|--|--|
| <p>INSTALL 101</p> | <p>WARNING</p> <p>Playset equipment must be used as intended. Do not climb on or use playset as a structure. Do not use playset as a structure. Do not use playset as a structure.</p> | <p>play smart® rules</p> <ul style="list-style-type: none"> Do not play on broken or damaged equipment. Do not play without adequate safety supervision. Do not play on or near equipment if the labels, notices or drawings should be kept with the equipment. Do not play on or near equipment if the equipment is damaged. Do not play on or near equipment if the equipment is damaged. Do not play on or near equipment if the equipment is damaged. Do not play on or near equipment if the equipment is damaged. Do not play on or near equipment if the equipment is damaged. |
| | <p>WARNING</p> <p>Children are required to use the playset equipment as intended. Do not use playset equipment as a structure. Do not use playset equipment as a structure.</p> | <p>WARNING</p> <p>Do not play on or near equipment if the equipment is damaged.</p> |
| | <p>WARNING</p> <p>All playset equipment and rubber surfacing must be installed according to the instructions. Check for hot surfaces before allowing children to play. Children should wear appropriate shoes at all times.</p> | <p>WARNING</p> <p>Do not play on or near equipment if the equipment is damaged.</p> |

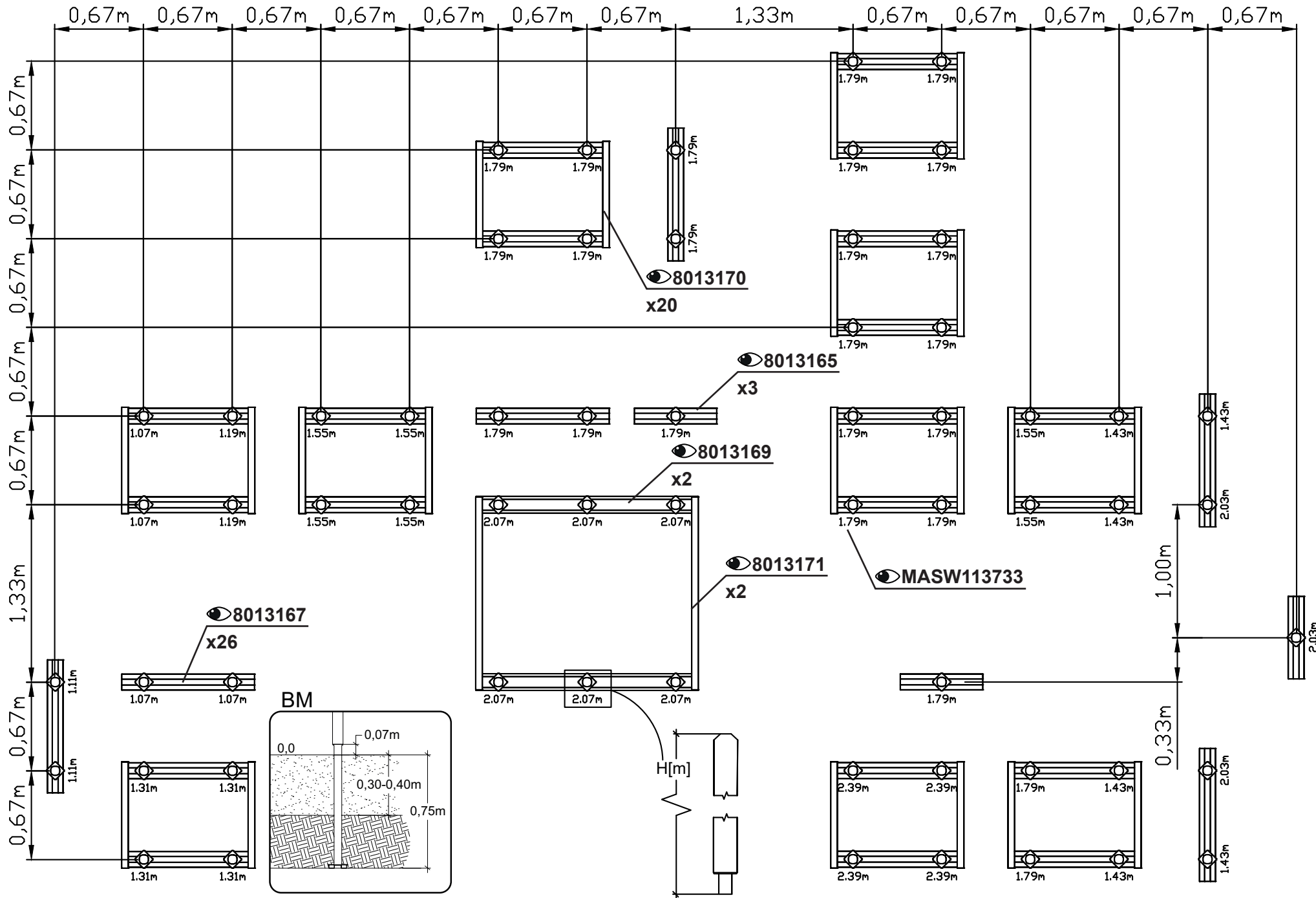


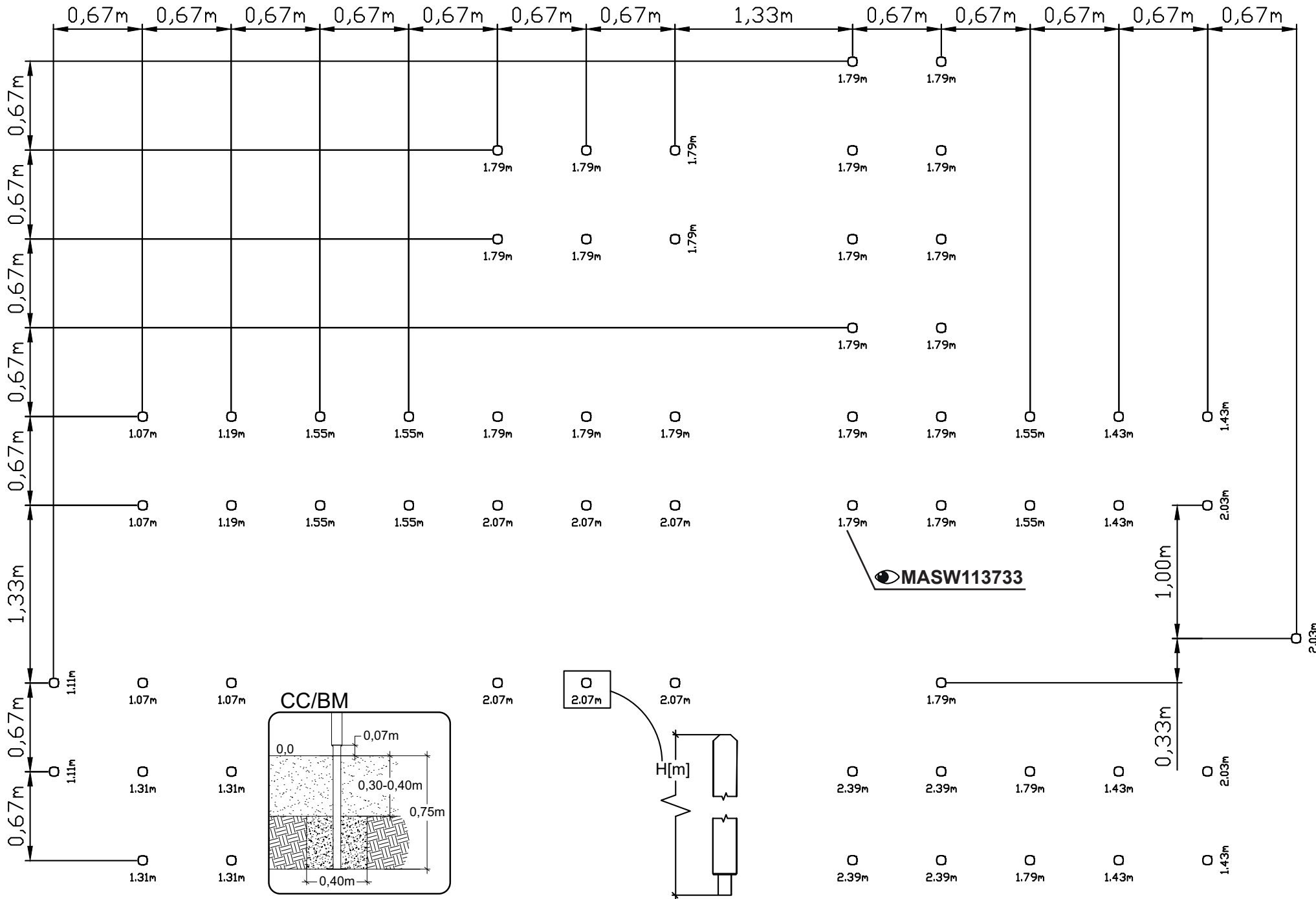
HAGS®

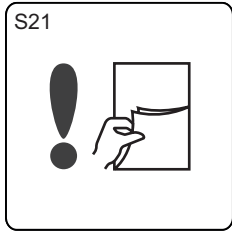
FOR KIDS AGES
2-5
YEARS

ADULT SUPERVISION RECOMMENDED
www.hags.com

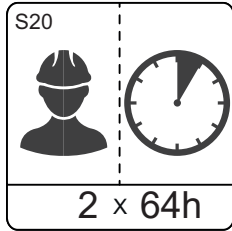




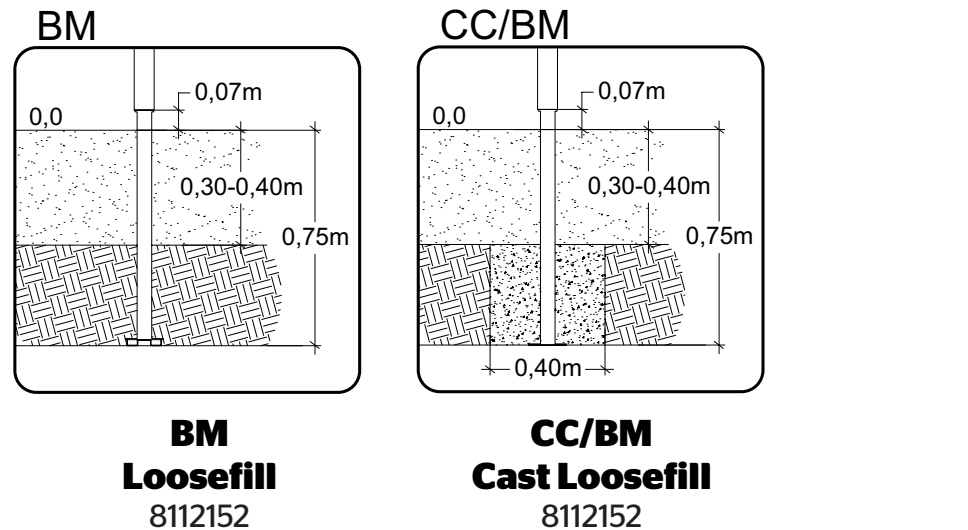
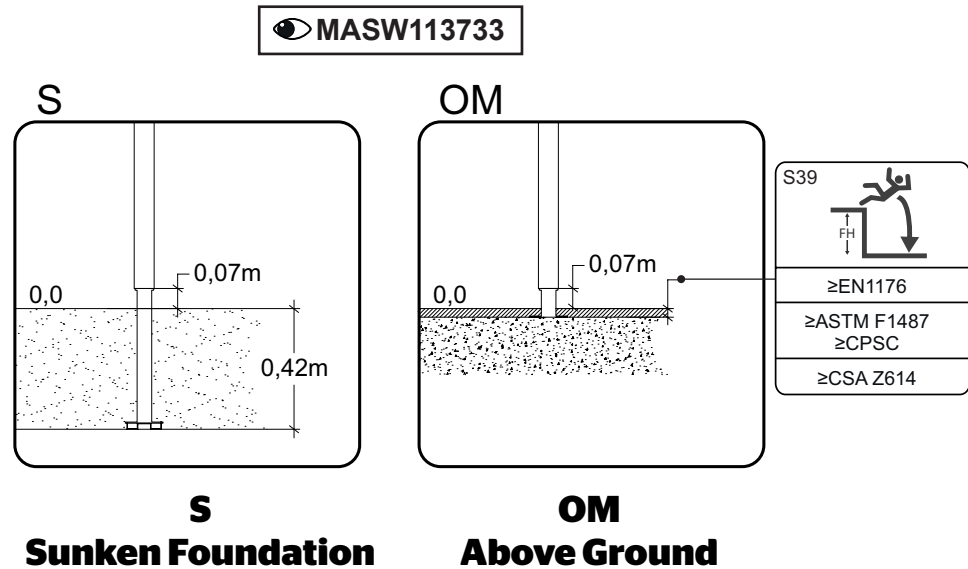
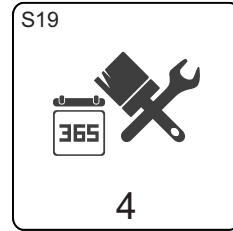
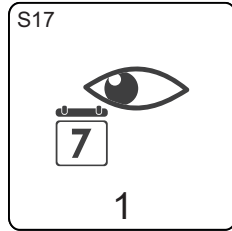


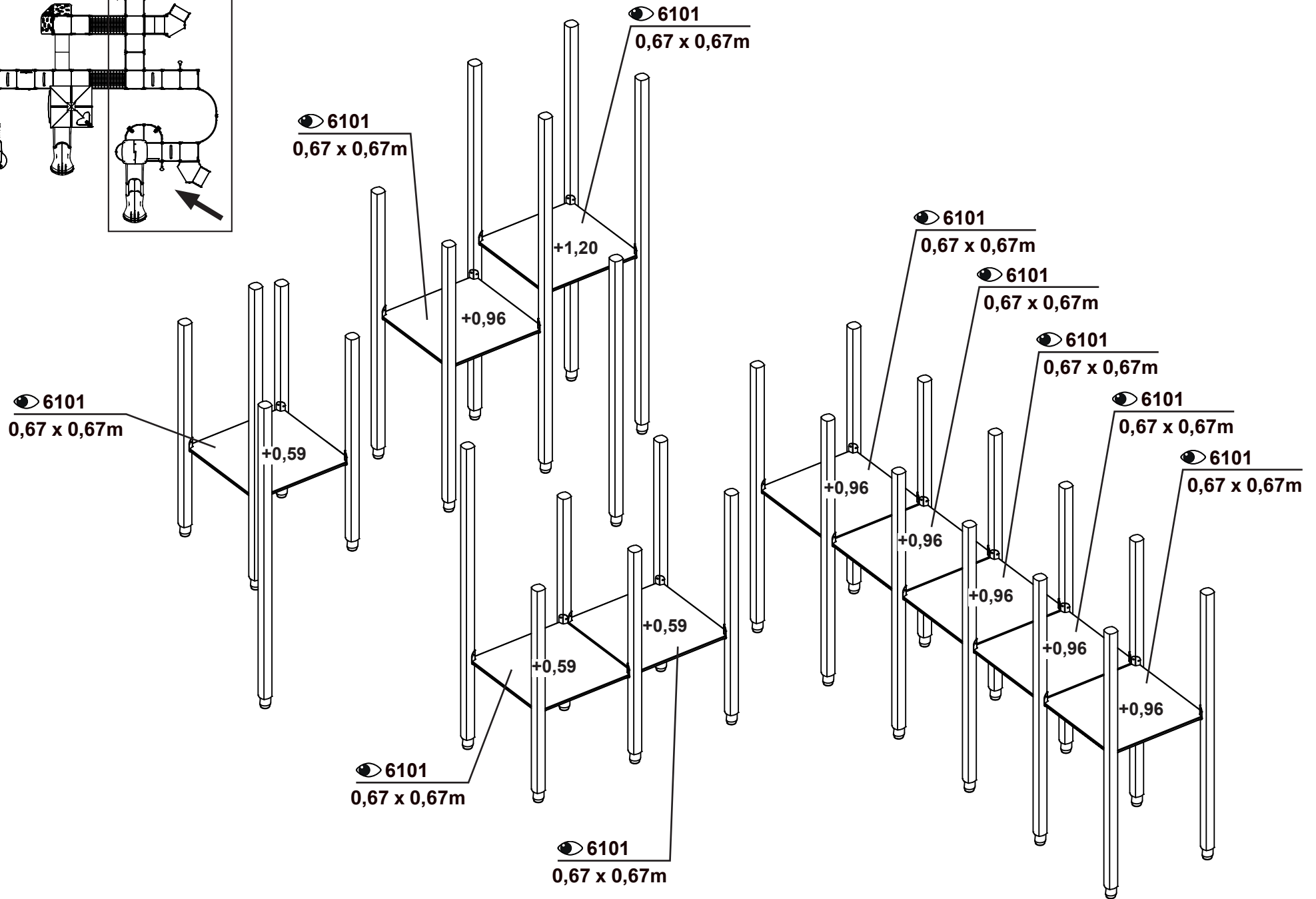
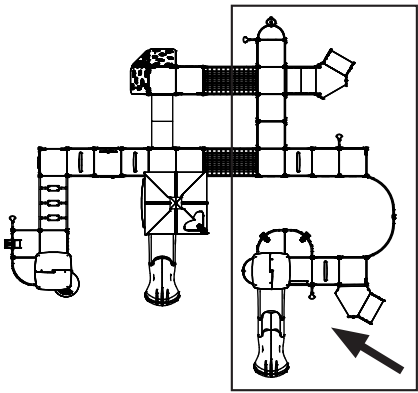


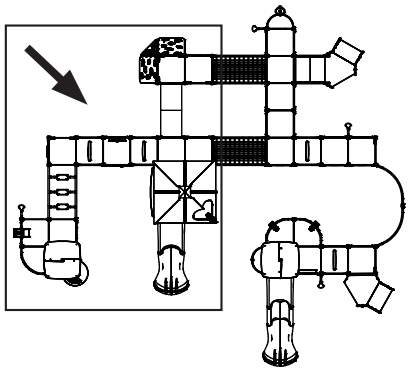
Install 101
6099
6101
6102
6712
6762
6821
6844
6932
6952
6954
6965
6970
260329
612313
620995
631513
638113
641307
641407
676106
693811
693812



695105
695301
42091210
6211 01
6213 01
6251 07
6253 02
MA624U675320
MA624U675321
MASW117650
MAOM675321
MASW113733
MASW35156
MASW39314
MASW39456
MASW78432
MAUSW117643
MAUSW117644
MAUSW117645
MAUSW117647
OM6705
OM675320
MASW118240

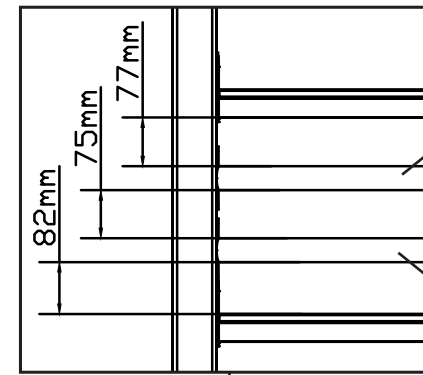
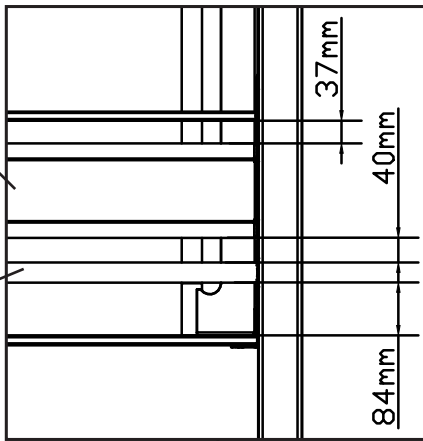






631513
0,60m
+1,265m

638113
0,60m
+1,060m



638113
1,27m
+1,175m

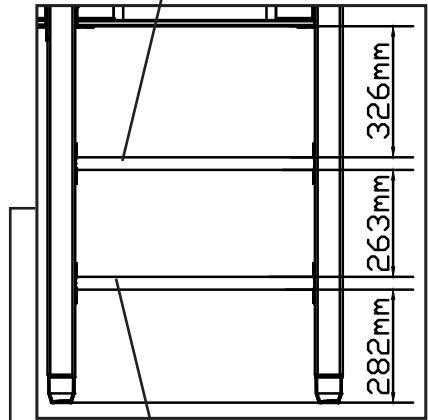
638113
1,27m
+1,061m

638113
0,60m
+0,60m

620995

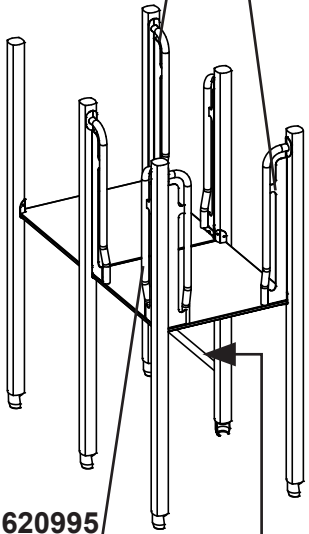
620995

638113
1,27m
+1,95m



638113
0,60m
+0,30m

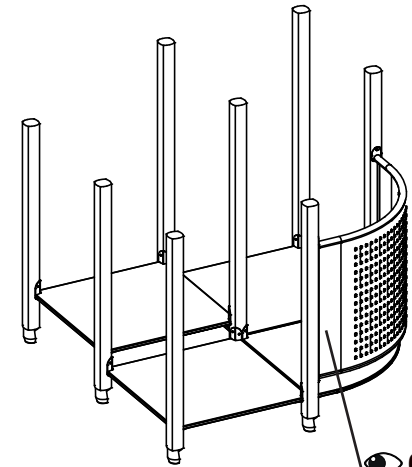
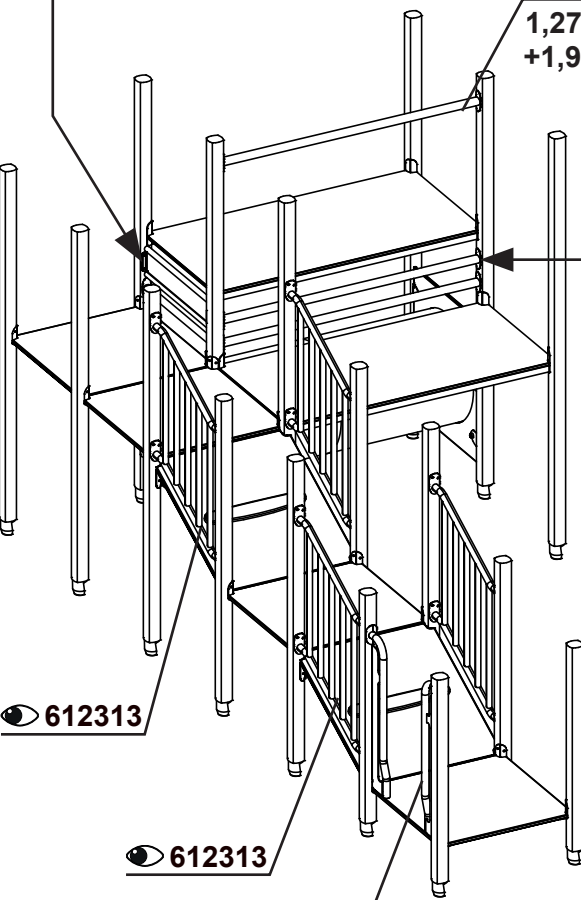
620995



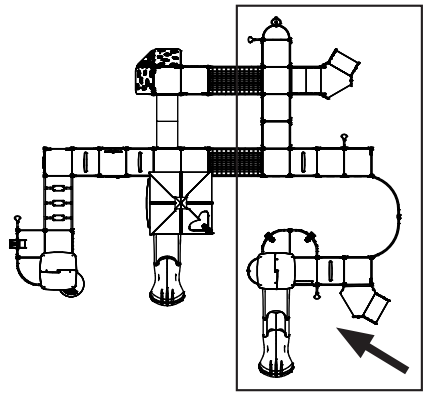
612313

612313

620995



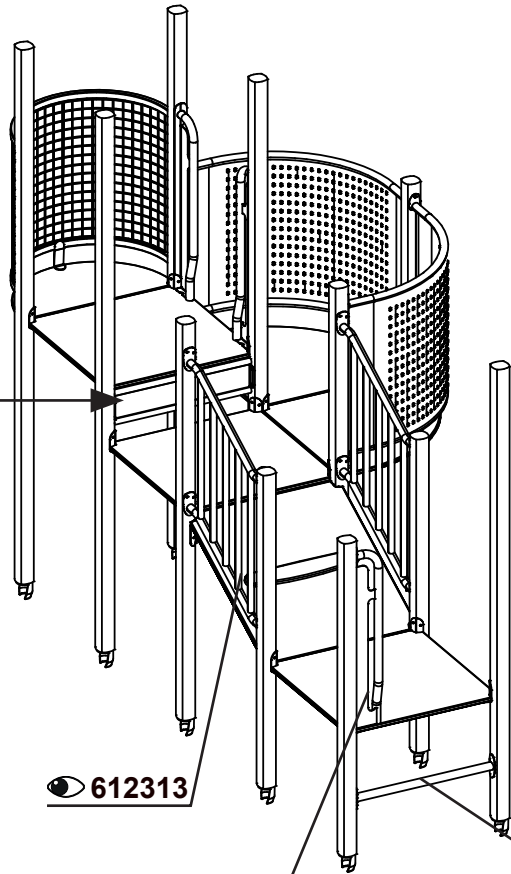
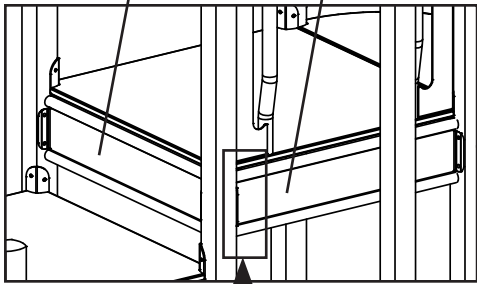
6932



● MASW118240

● 631513

● 631513



● 612313

● 612313

● 620995

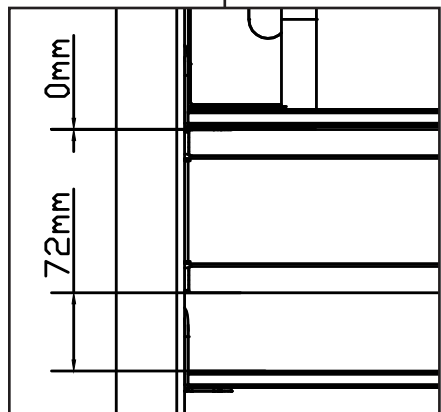
● 638113

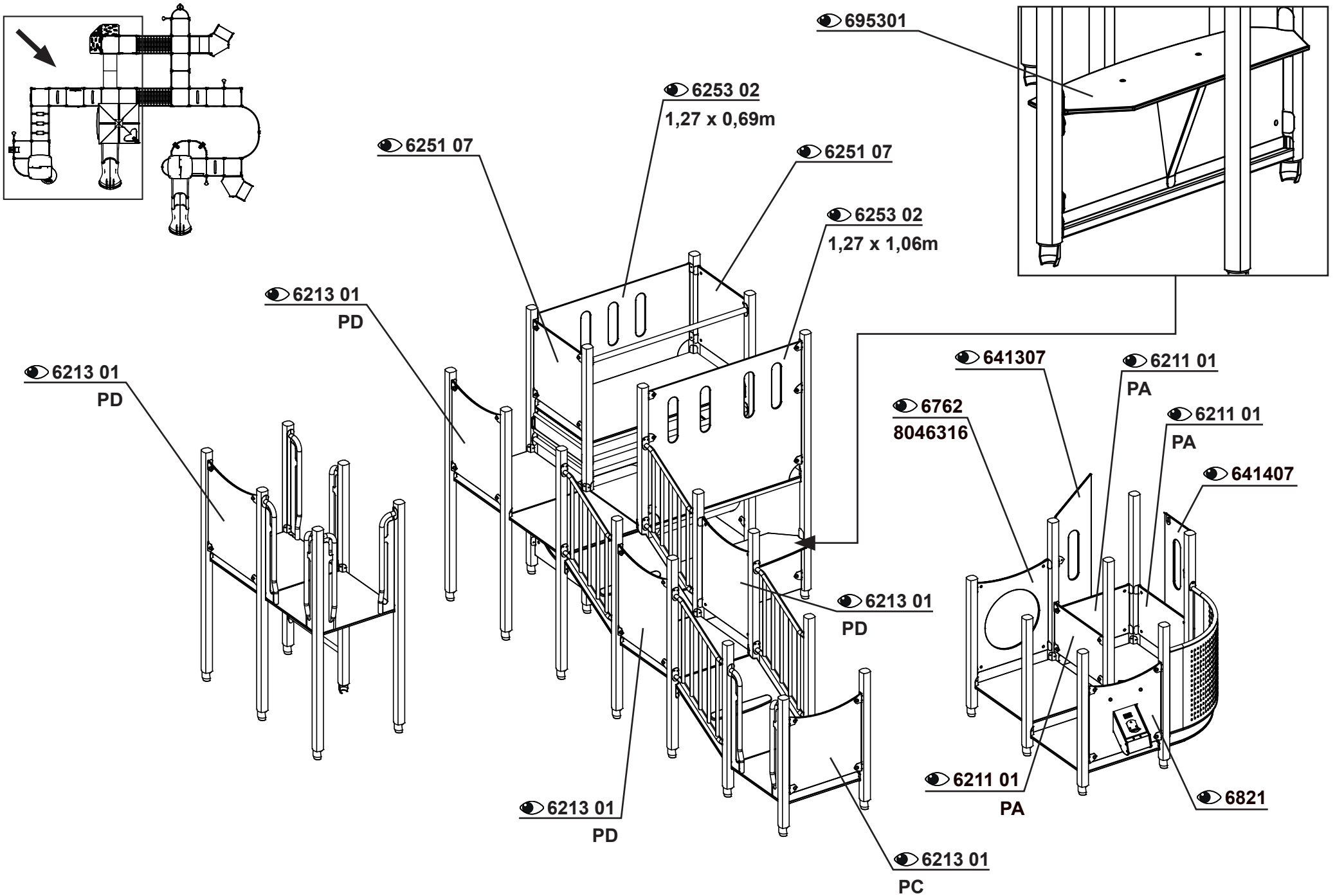
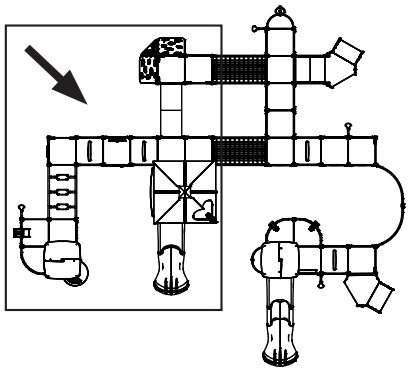
0,60m
+0,30m

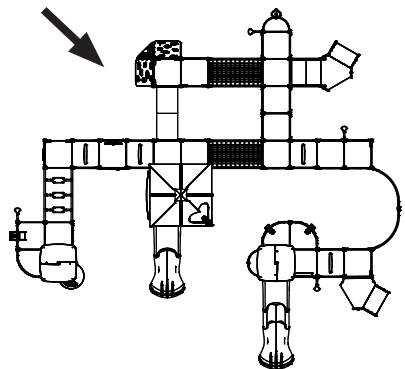
● 638113

0,60m
+0,30m

● 620995







● MASW117650 [BM]

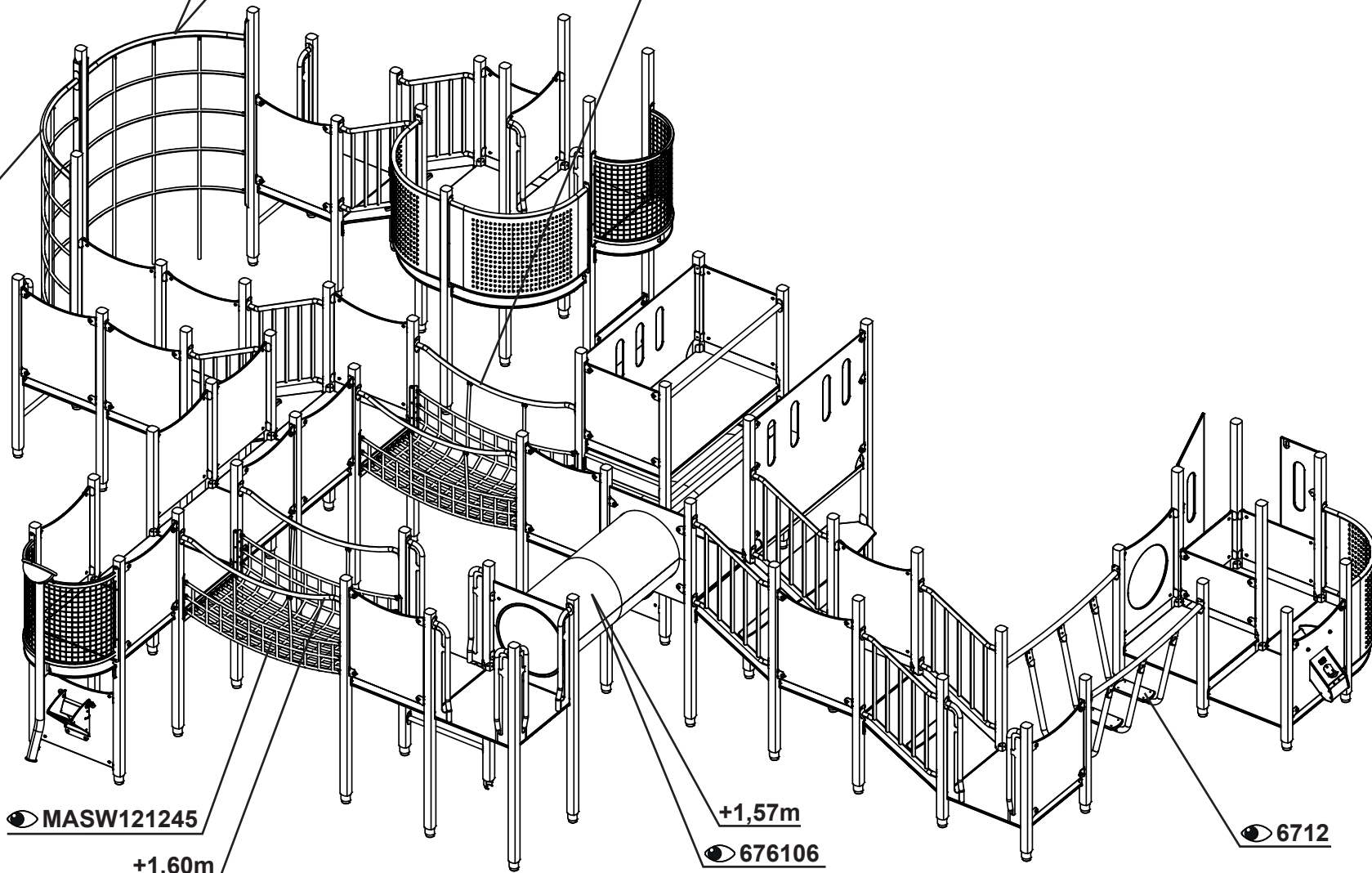
● OM6705 [OM]

+1,82m

● MASW121245

● MASW117650 [BM]

● OM6705 [OM]



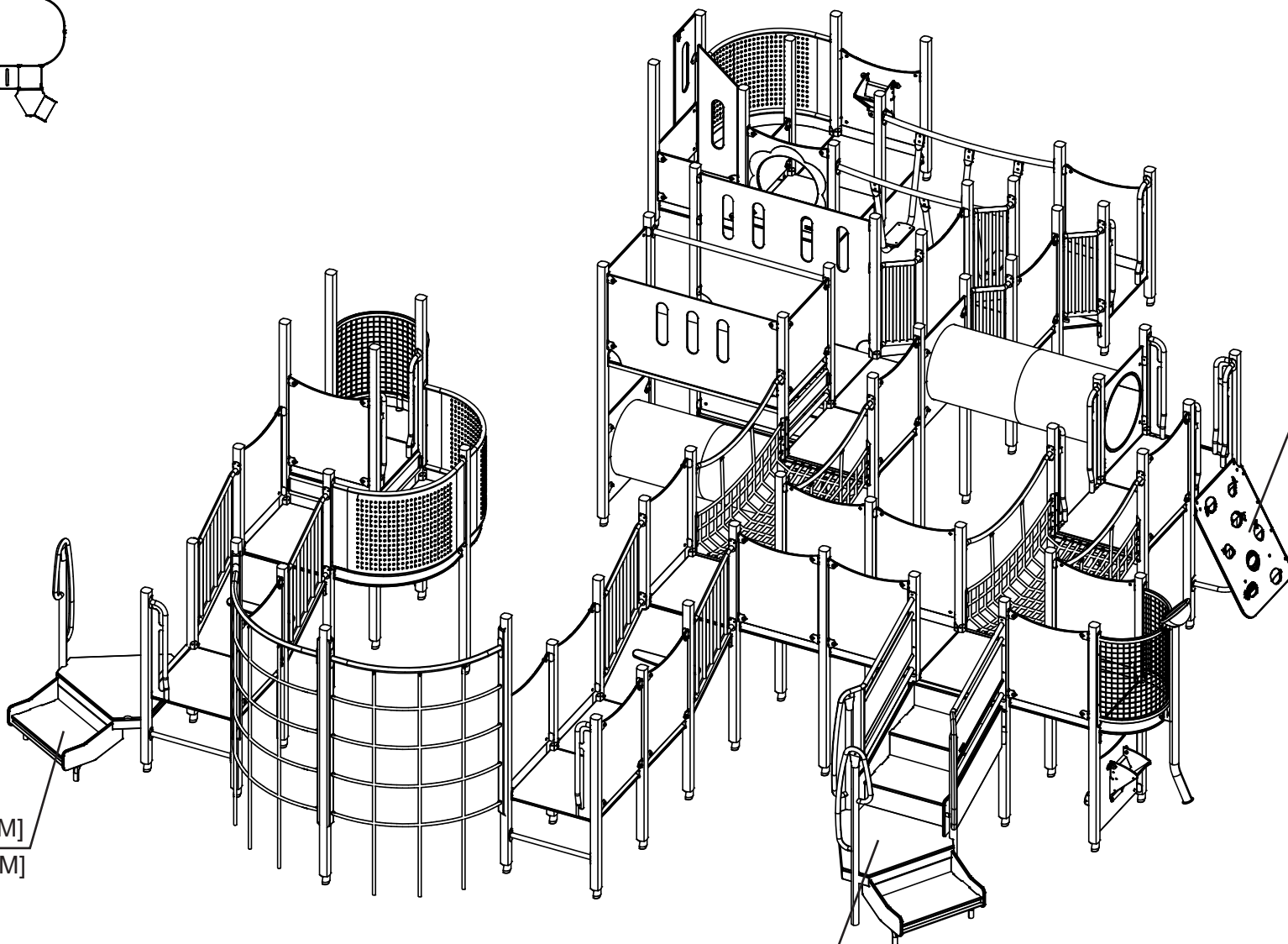
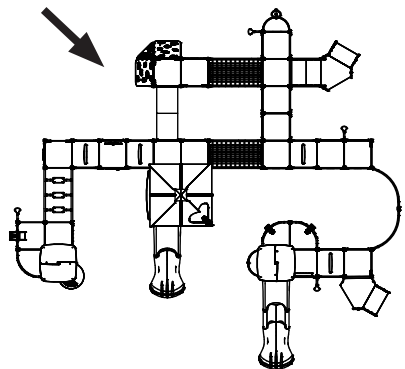
● MASW121245

+1,60m

+1,57m

● 676106

● 6712



● MA624U675320 [BM]

● OM675320 [OM]

● MASW78432

● MA624U675321 [BM]

● MAOM675321 [OM]

